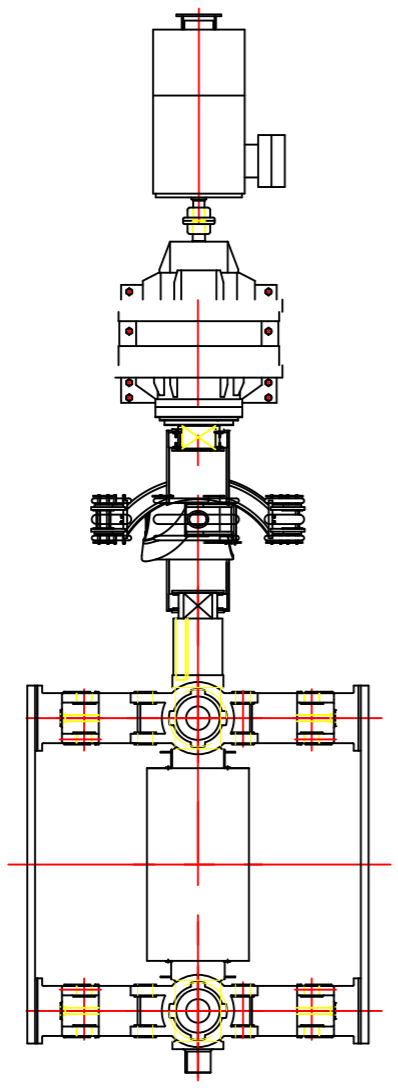
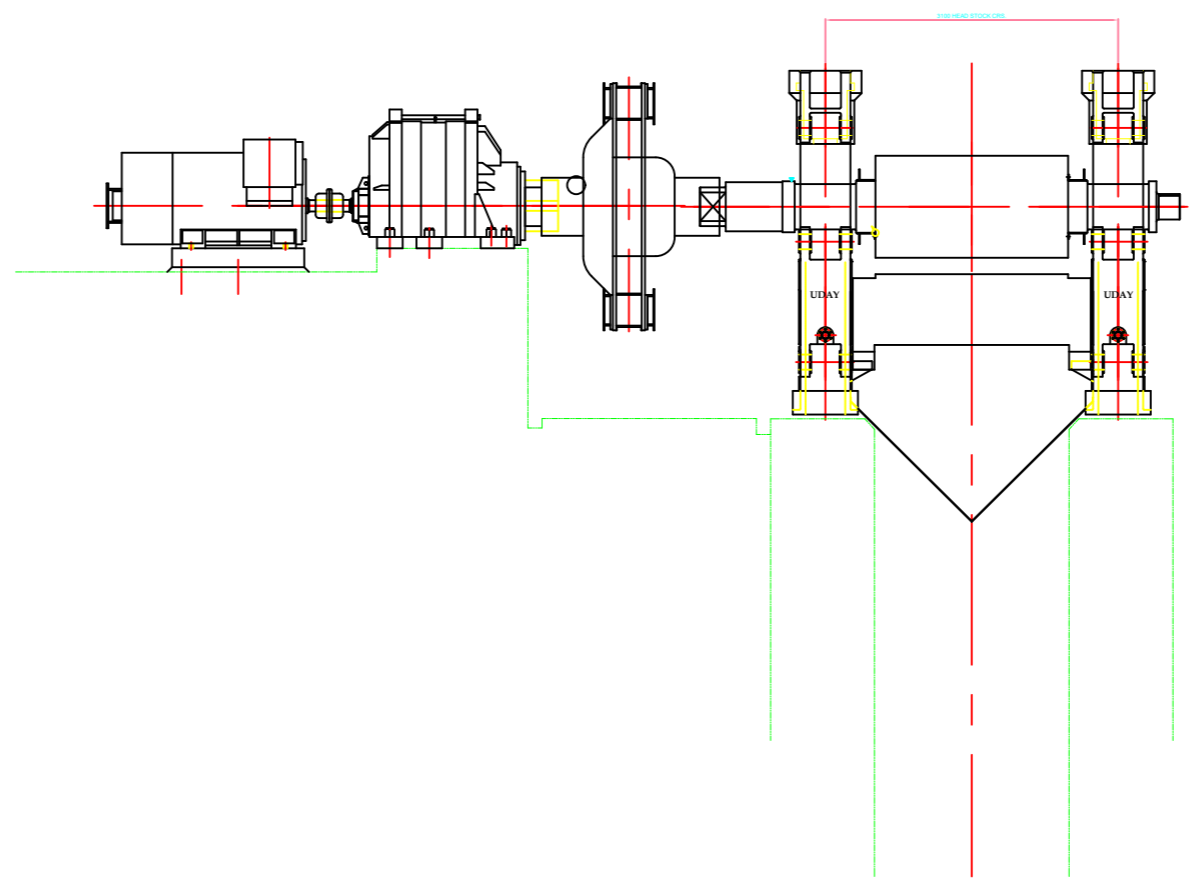
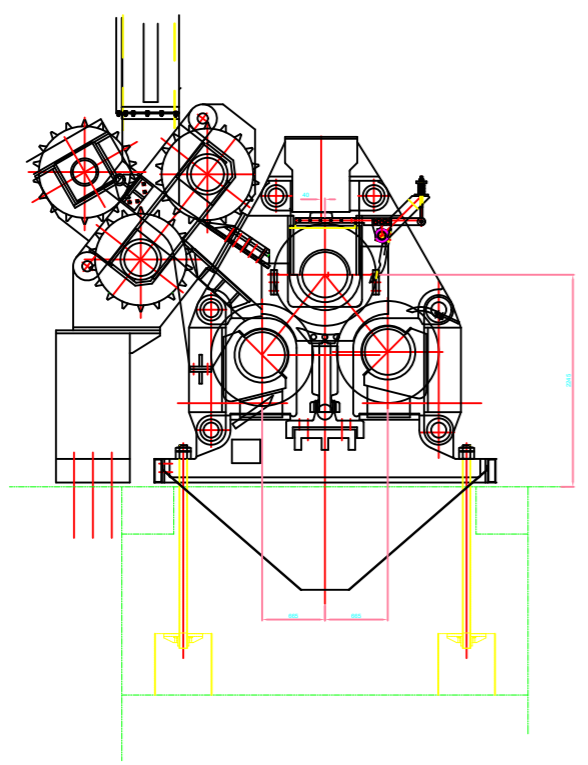


IF IN DOUBT, ASK  
DO NOT SCALE



REV. NO.		DESCRIPTION	DRN. BY	CHD. BY	DATE	CLIENT: <b>UDAY RESHELLERS &amp; CAST ALLOYS LLP.</b>
DRN.	RSD					NAME DATE TITLE
CHD.						SCALE
APPD.						ASSEMBLY OF 40"x80" MILL

**AMEY ENGINEERS**  
2-11, INDUSTRIAL ESTATE, SURESH, PONDICHERRY-605 006  
PHONE: 9945929293, 9945929294, 9945929295  
WWW.AMEYENGINEERS.COM, info@ameyengineers.com

REV. NO. DESCRIPTION DRN. BY CHD. BY DATE REVISION

DRG. NO. **AE/A1/852**

THIS DRAWING IS THE PROPERTY OF AMEY ENGINEERS AND SHALL BE KEPT IN CONFIDENCE. IT IS NOT TO BE REPRODUCED OR TRANSMITTED IN ANY FORM OR BY ANY MEANS, ELECTRONIC OR MECHANICAL, WITHOUT THE WRITTEN PERMISSION OF AMEY ENGINEERS.